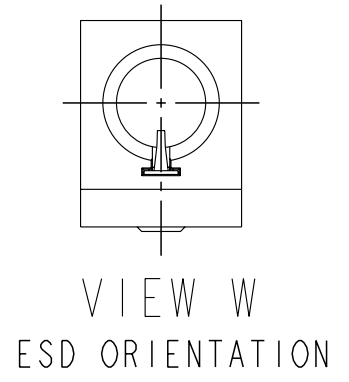
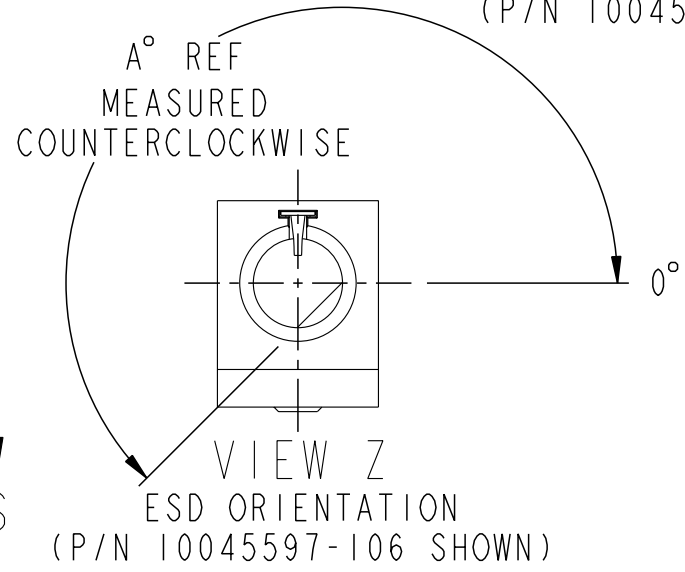
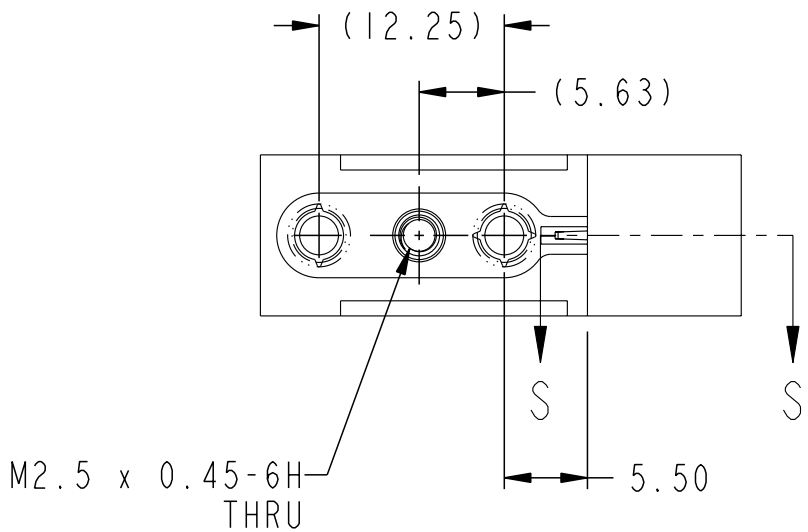
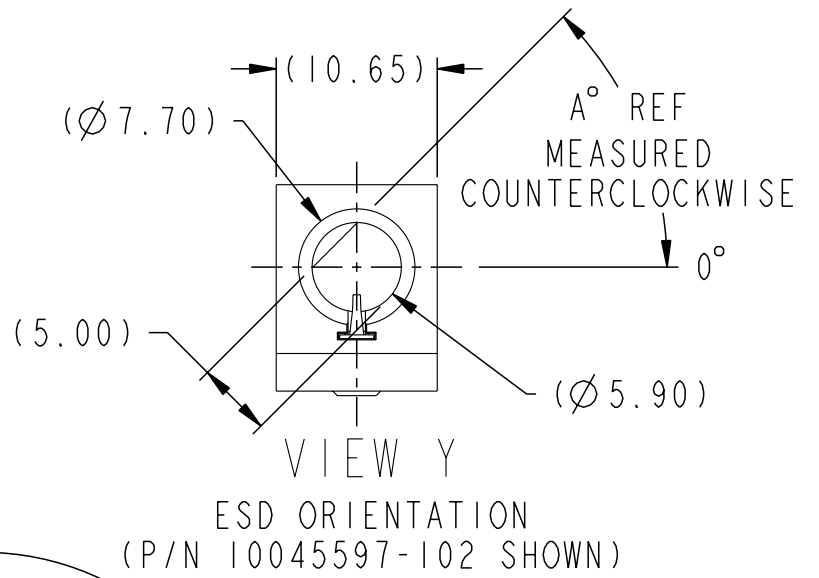
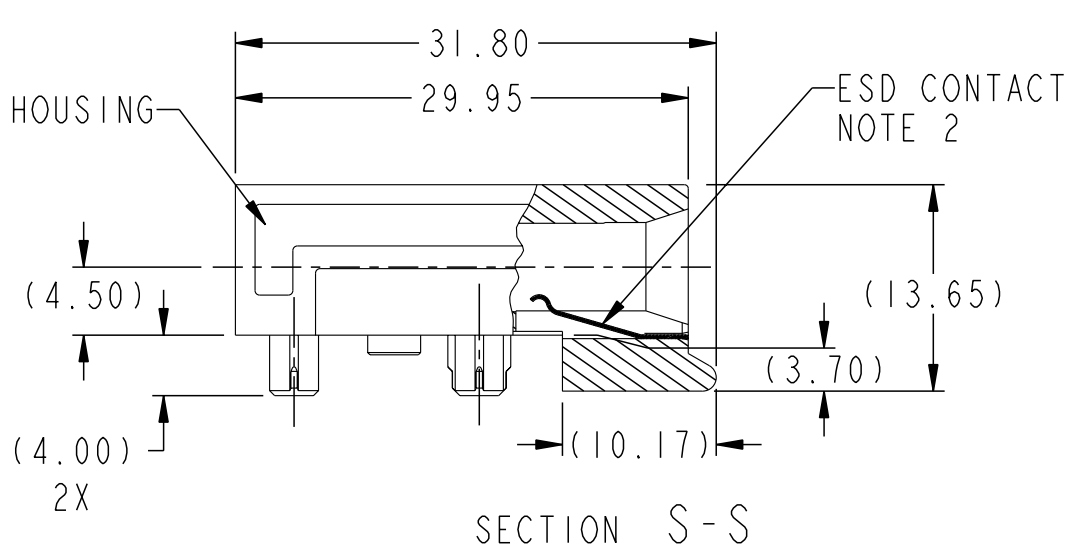


Tous droits strictement réservés. Reproduction ou communication à des tiers interdite sous quelque forme que ce soit sans autorisation écrite du propriétaire. Propriété de FCI. Droits de reproduction FCI.



All rights strictly reserved. Reproduction or issue to third parties in any form whatever is not permitted without written authority from the proprietor. Property of FCI. Copyright FCI.



rev	ecn no	dr	date
A	V05-0557	AR	06/07/05
-	-	-	-
-	-	-	-
-	-	-	-
-	-	-	-
-	-	-	-

<b>FCI</b>		www.fciconnect.com	surface <input checked="" type="checkbox"/> ASME Y14.5	tolerance ASME Y14.5	projection	MM
Dr	T. HOUTZ	12/17/04	Product family	-	size A4	Scale 2:1
Eng	H. NGO	12/17/04	Spec ref	-	ECN	NEW
Chr	H. NGO	12/17/04	Material	SEE NOTES		
Appr	H. NGO	12/17/04				
title			10.8mm R/A GUIDE SOCKET ASSY		dwg no	10045597
			2/3 Pr.			Rev. A
catalog no			-		CUSTOMER	sheet 1 of 2

Tous droits strictement réservés. Reproduction ou communication à des tiers interdite sous quelque forme que ce soit sans autorisation écrite du propriétaire. Propriété de c fci. Droits de reproduction FCI.

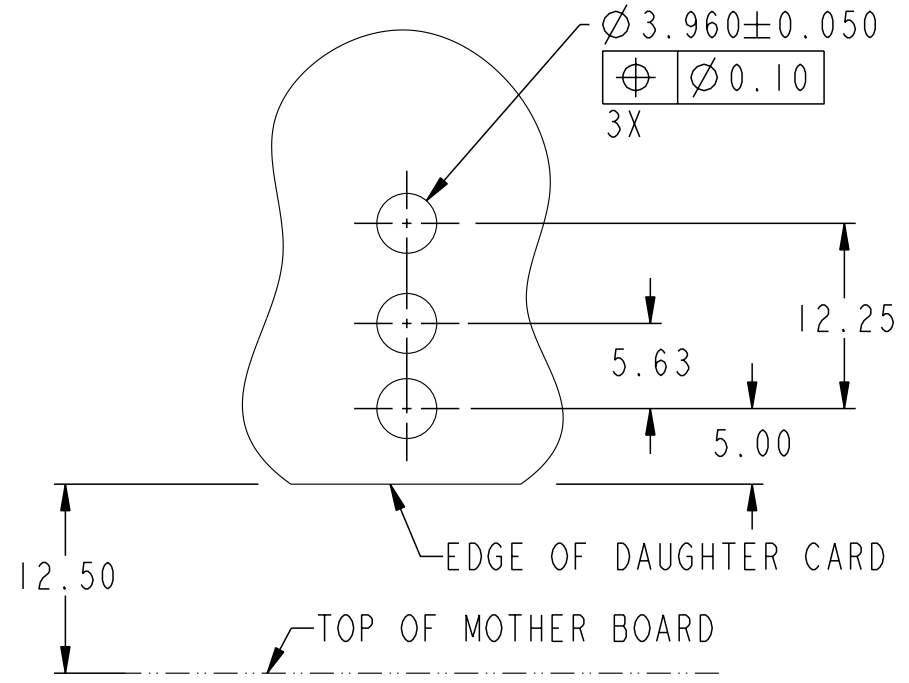
**A**  
**FCI**

All rights strictly reserved. Reproduction or issue to third parties in any form whatever is not permitted without written authority from the proprietor. Property of FCI. Copyright FCI.

PART NUMBER NOTES 4 & 5	DIM A°	ESD PIN LOCATION
10045597-1X1LF	0°	VIEW Y
10045597-1X2LF	45°	VIEW Y
10045597-1X3LF	90°	VIEW Y
10045597-1X4LF	135°	VIEW Z
10045597-1X5LF	180°	VIEW Z
10045597-1X6LF	225°	VIEW Z
10045597-1X7LF	270°	VIEW Z
10045597-1X8LF	315°	VIEW Y
10045597-1X9LF	NO KEY NOTE 5	VIEW W

NOTES:

- ① MATERIAL: ZINC ALLOY
- ② FINISH: HOUSING; ZINC YELLOW CHROMATE  
ESD CONTACT; 1.27µm MINIMUM NICKEL ALL OVER
- ③ PRELIMINARY APPLICATION SPEC: GS-20-045
- ④ X = 0 FOR MODULES WITH ESD GROUNDING OPTION  
X = 1 FOR MODULES W/O ESD GROUNDING OPTION
- ⑤ FOR THE -109 VERSION THE MATING GUIDE PIN MUST BE ORIENTATED SO IT MAKES CONTACT WITH THE ESD PIN
- ⑥ THRU HOLE PLATING AND ANNULAR RINGS MUST BE ADDED AS APPROPRIATE FOR APPLICATIONS WITH THE ESD GROUNDING OPTION
- ⑦ REFER TO CUSTOMER DRAWING 10035911 FOR INFORMATION REGARDING PCB LAYOUT OF POWER AND GUIDE MODULES RELATIVE TO SIGNAL MODULES
- ⑧ THIS PRODUCT MEETS EUROPEAN UNION DIRECTIVES AND OTHER COUNTRY REGULATIONS AS DESCRIBED IN GS-22-008.
- ⑨ PACKAGING MEETS GS-14-920 LEAD FREE LABELING SPECIFICATION.



RECOMMENDED PCB LAYOUT NOTES 6 & 7

title	10.8mm R/A GUIDE SOCKET ASSY 2/3 Pr.	dwg no	10045597	Rev.	A
catalog no	-	CUSTOMER	sheet 2 of 2		